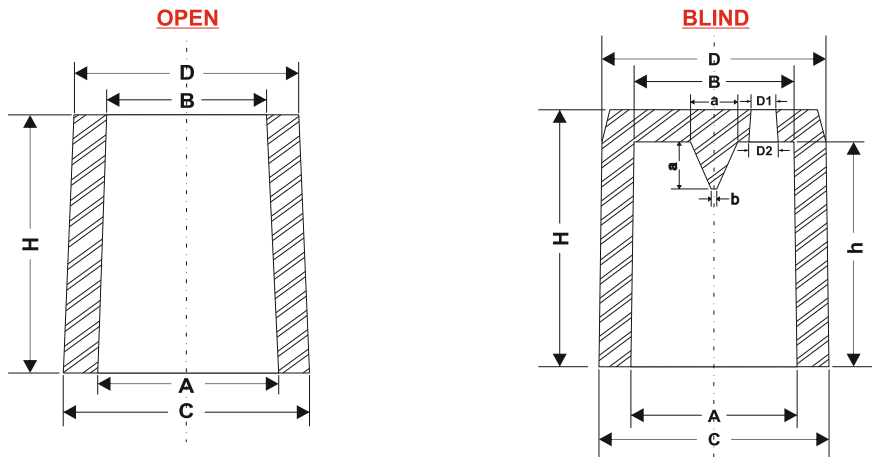


TECHNICAL DATA - OPEN SLEEVES

SLEEVE SIZE		MODULUS (mm)		Vol. of Liquid Metal in Sleeve (CC)	DIMENSIONS (mm)					PACKING
METRIC	INCHES	Geo.	Effec.		A	B	C	D	H	QTY/TRAY
30 X 75	1 X 3	5.36	8.84	37	27	23	48	44	75	240
40 X 75	1.5 X 3	7.58	12.5	85	41	35	63	57	75	128
50 X 75	2 X 3	9.51	15.59	153	53	49	77	73	75	84
50 X 100	2 X 4	10.16	16.66	204	53	49	77	73	100	84
60 X 75	2.5 X 3	10.59	17.26	205	61	57	88	84	75	60
65 X 100	2.5 X 4	11.90	19.15	307	65	60	92	87	100	60
80 X 100	3 X 4	13.70	21.92	447	79	72	109	102	100	40
80 X 125	3 X 5	14.50	23.05	559	79	72	109	102	125	20
80 X 150	3 X 6	15.08	23.97	671	79	72	109	102	150	20
90 X 150	3.5 X 6	16.79	26.52	881	90	83	122	115	150	16
100 X 150	4 X 6	18.47	29.18	1131	101	95	134	128	150	13
120 X 150	4.5 X 6	20.52	32.21	1504	116	110	152	146	150	9
130 X 150	5 X 6	22.31	34.8	1899	130	124	167	161	150	9
140 X 150	5.5 X 6	23.69	36.95	2259	142	135	179	172	150	8
150 X 150	6 X 6	24.83	38.48	2597	152	145	192	185	150	6
	7 X 6	28.09	42.13	3786	180	175	224	229	154	4
	8 X 6	30.64	45.96	5015	206	202	250	254	154	4
	9 X 6	32.75	47.48	6291	231	226	277	282	154	2
	10 X 6	34.70	48.58	7743	256	251	306	310	154	2
	12 X 6	38.31	51.71	11283	309	303	360	365	154	1



TECHNICAL DATA - BLIND SLEEVES

SLEEVE SIZE		MODULUS (mm)		Vol. of Liquid Metal in Sleeve (CC)	DIMENSIONS (mm)										PACKING
METRIC	INCHES	Geo.	Effec.		A	B	C	D	H	h	a	b	D2	D1	QTY/TRAY
30 X 80 (B)	1 X 3 (B)	5.35	8.88	35	27	23	48	44	80	74	10	2	5	4	240
40 X 70 (B)	1.5 X 3 (B)	7.30	12.12	69	41	35	63	57	73	63	12	2	7	5	128
50 X 80 (B)	2 X 3 (B)	9.42	15.54	141	53	49	77	73	80	72	16	2	10	8	84
50 X 110 (B)	2 X 4 (B)	10.20	16.73	200	53	49	77	73	112	102	18	2	10	8	84
60 X 90 (B)	2.5 X 3 (B)	10.74	17.61	206	61	57	88	84	92	79	18	2	10	8	60
65 X 110 (B)	2.5 X 4 (B)	11.96	19.38	303	65	60	92	87	115	102	18	2	11	9	60
80 X 110 (B)	3 X 4 (B)	13.70	22.06	429	79	72	109	102	113	100	22	3	14	12	40
80 X 140 (B)	3 X 5 (B)	14.58	23.32	555	79	72	109	102	140	128	22	3	14	12	20
80 X 170 (B)	3 X 6 (B)	15.14	24.22	664	79	72	109	102	168	153	24	3	16	14	20
90 X 120 (B)	3.5 X 4 (B)	15.40	24.49	604	90	83	122	115	122	107	24	3	16	14	32
90 X 170 (B)	3.5 X 6 (B)	16.86	26.81	871	90	83	122	115	168	153	26	3	18	16	16
100 X 130 (B)	4 X 5 (B)	17.48	27.62	887	101	95	134	128	137	122	26	3	18	16	13
100 X 170 (B)	4 X 6 (B)	18.56	29.13	1116	101	95	134	128	168	153	28	3	18	16	13
120 X 170 (B)	4.5 X 6 (B)	20.63	32.18	1489	116	110	152	146	168	153	28	3	18	16	9
130 X 170 (B)	5 X 6 (B)	22.44	35.00	1888	130	124	167	161	168	153	28	3	20	18	9
140 X 170 (B)	5.5 X 6 (B)	23.84	36.95	2239	142	135	179	172	168	153	30	4	20	18	8
150 X 170 (B)	6 X 6 (B)	25.00	38.74	2580	152	145	192	185	168	153	30	4	22	20	6

- Notes :
1. Dimensions given above are normal. Minor variation possible due to manufacture process.
 2. Bottom surface of the feeder sleeve is considered as cooling surface.



MARIKKO FOCHEM
(INDIA) PRIVATE LIMITED

AN ISO 9001 : 2015 CERTIFIED COMPANY