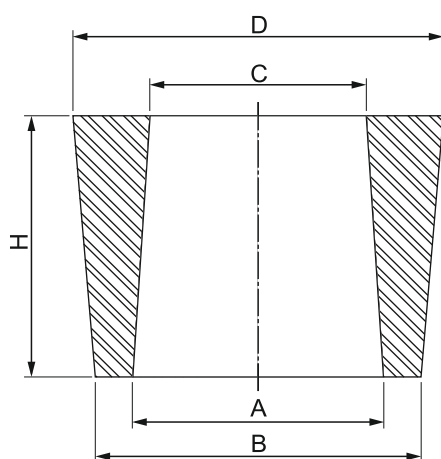
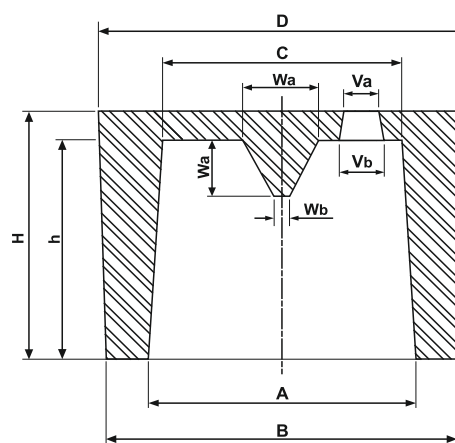


## TECHNICAL DATA - OPEN SLEEVES

Sl. No.	SLEEVE SIZE ( INCH )	MODULUS ( mm )		VOLUME OF METAL IN SLEEVE ( CC )	RISER WEIGHT ( KG )	DIMENSIONS ( mm )					QTY per BOX ( Nos )
		EFFEC.	GEO			Dia A	Dia B	Dia C	Dia D	H	
1	1.5 x 3	11.11	7.66	89	0.65	39.50	61.50	37.00	64.50	77.50	256
2	2 x 3	14.07	9.70	163	1.19	53.00	77.00	50.50	80.00	77.50	168
3	2 x 4	14.88	10.26	212	1.55	53.00	77.00	49.50	80.50	103.00	126
4	2.5 x 4	17.65	12.17	324	2.37	65.50	89.50	62.00	93.00	103.00	90
5	3 x 4	20.17	13.91	470	3.43	78.00	104.00	74.50	107.50	103.00	60
6	3 x 6	21.90	15.10	682	4.98	78.00	106.00	72.50	111.00	153.50	40
7	3.5 x 6	24.85	17.14	938	6.85	91.00	123.00	85.50	127.50	153.50	32
8	4 x 6	27.39	18.89	1211	8.84	103.00	135.00	97.50	139.50	153.50	24
9	4.5 x 6	30.38	20.95	1600	11.68	118.00	152.00	112.50	156.50	153.50	18
10	5 x 6	32.70	22.55	1967	14.36	130.50	166.50	125.00	171.00	153.50	18
11	6 x 6	37.05	25.55	2830	20.66	156.00	192.00	150.50	196.50	153.50	12
12	7 x 6	40.73	28.09	3786	27.64	180.00	224.00	174.50	228.50	153.50	8
13	8 x 6	44.43	30.64	5015	36.61	206.00	250.00	202.00	254.00	153.50	8



( OPEN SLEEVE )



( BLIND SLEEVE )

## TECHNICAL DATA - BLIND SLEEVES

Sl. No.	SLEEVE SIZE ( INCH )	MODULUS ( mm )		VOLUME OF METAL IN SLEEVE ( CC )	RISER WEIGHT ( KG )	DIMENSIONS ( mm )										QTY per BOX ( Nos )
		EFFEC.	GEO			Dia A	Dia B	Dia C	Dia D	h	H	Wa	Wb	Va	Vb	
1	1.5 x 3	11.11	7.66	87	0.64	39.50	61.50	37.00	64.50	77.50	88.00	11.00	3.00	8.00	10.00	256
2	2 x 3	14.07	9.70	159	1.16	53.00	77.00	50.50	80.00	77.50	90.50	13.00	3.00	8.00	10.00	168
3	2 x 4	14.88	10.26	202	1.47	53.00	77.00	49.50	81.00	103.00	117.00	19.50	3.00	8.00	10.00	126
4	2.5 x 4	17.65	12.17	317	2.31	65.50	89.50	62.00	93.50	103.00	117.00	19.50	3.00	10.00	12.00	90
5	3 x 4	20.17	13.91	454	3.31	78.00	104.00	74.50	108.00	103.00	117.00	20.00	3.00	10.00	12.00	60
6	3 x 6	21.90	15.10	667	4.87	78.00	106.00	72.50	112.00	153.50	169.50	20.00	3.00	10.00	12.00	40
7	3.5 x 6	24.90	17.17	926	6.76	91.00	123.00	86.00	129.00	153.50	169.50	20.00	3.00	10.00	12.00	32
8	4 x 6	27.39	18.89	1184	8.64	103.00	135.00	97.50	141.00	153.50	170.50	24.00	3.00	18.00	20.00	24
9	4.5 x 6	30.36	20.94	1568	11.45	118.00	152.00	112.50	158.00	153.50	170.50	24.00	3.00	18.00	20.00	18
10	5 x 6	32.70	22.55	1930	14.09	130.50	166.50	125.00	171.50	153.50	170.50	24.00	3.00	18.00	20.00	18
11	6 x 6	37.16	25.63	2800	20.44	156.00	192.00	152.00	196.50	153.50	170.50	28.00	3.00	24.00	26.00	12

- Notes :**
1. Dimensions given above are normal. Minor variation possible due to manufacture process.
  2. Bottom surface of the feeder sleeve is considered as cooling surface.



**MARIKKOFOCHEM**  
(INDIA) PRIVATE LIMITED

AN ISO 9001 : 2015 CERTIFIED COMPANY